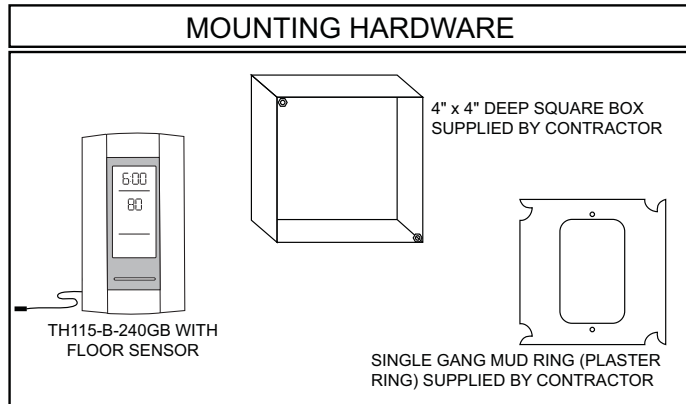




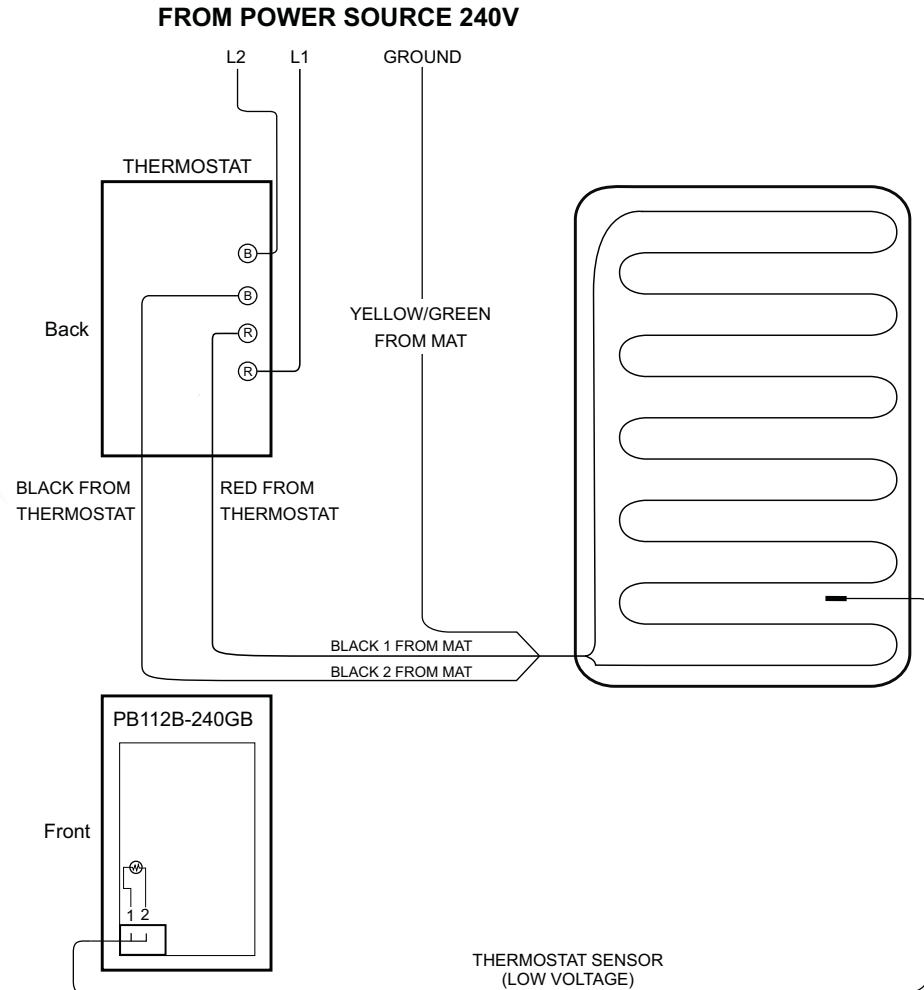
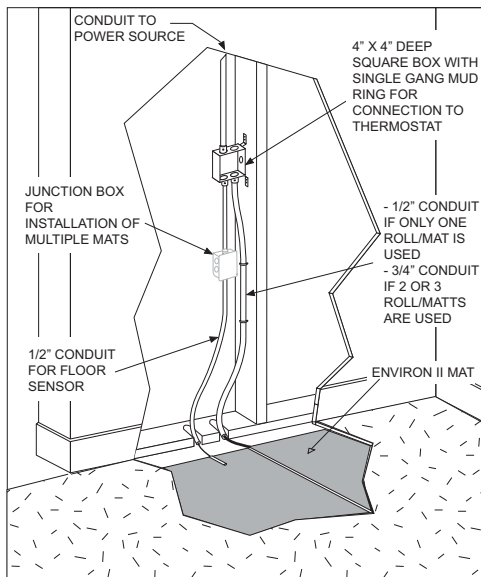
WARMLY YOURS
MAKING COMFORT EASY

WIRING DIAGRAM
240V ENVIRON II WITH THERMOSTAT™
ITEM#: TH115-B-240GB

**THERMOSTAT
FOR ELECTRICIAN**



ELECTRICAL ROUGH-IN



ENSURE THE SYSTEM IS GROUNDED



20023-C 04/08