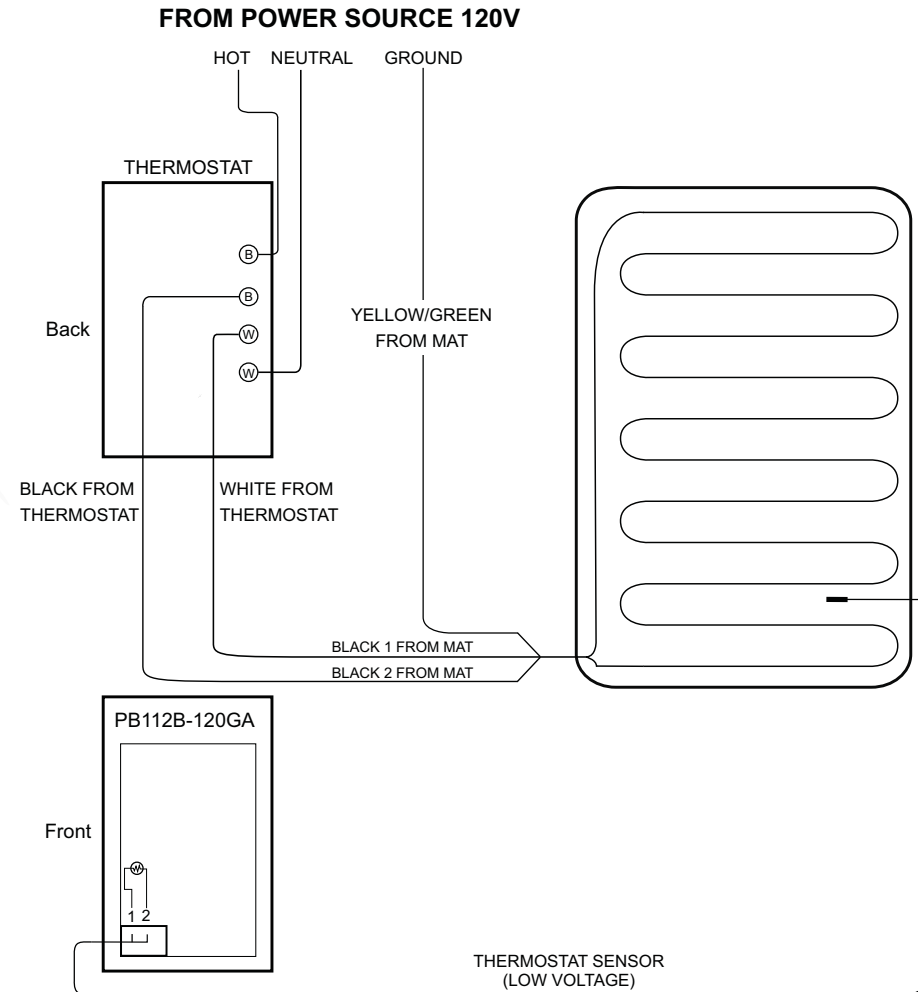
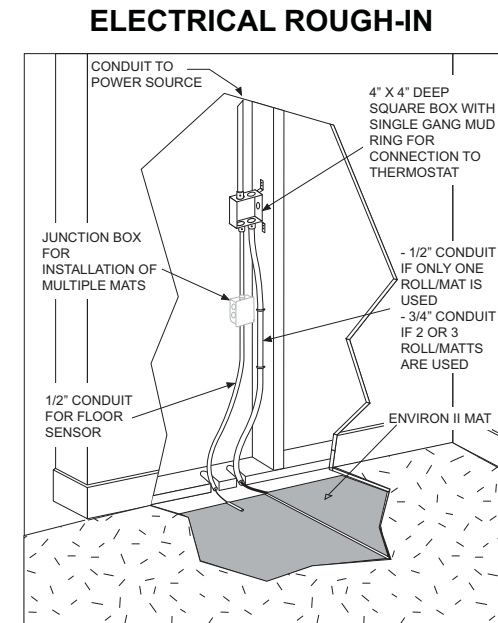
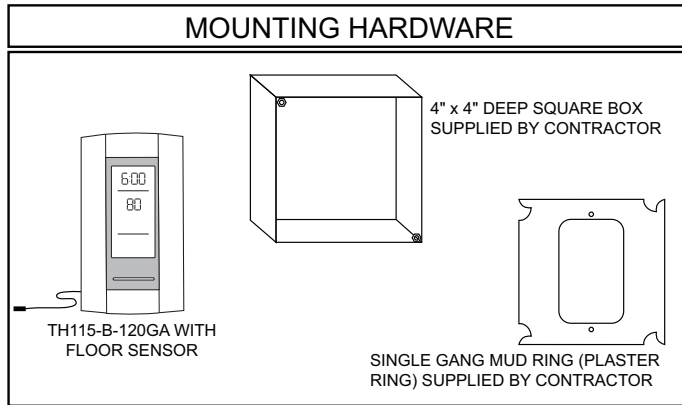




**THERMOSTAT
FOR ELECTRICIAN**



ENSURE THE SYSTEM IS GROUNDED



20019-C 04/08